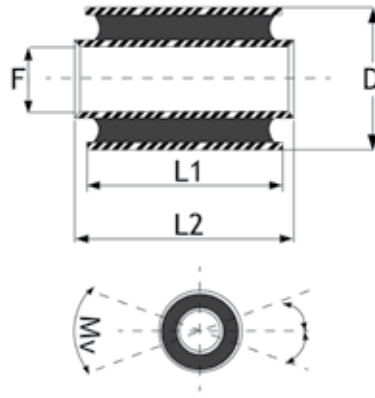


RUBBER METAL BONDED BUSHES



F = Inner Diameter
D = Outer Diameter
L = Length

This mount can be used to great advantage as a solution for bedding problems in mobile appliances and machines or between machine parts that can be flexible in relation to each other. As the rubber supports the movement, this flexible connection does not need to be greased or require maintenance. The VP range has a very high noise and vibration insulating properties which makes it ideal for construction machinery.

Applications:

- Cars
- Train carriages
- Tractors
- Agricultural machines etc.

Materials:

Natural Rubber

Article No:	L1 (mm)	L2 (mm)	F (mm)	D(mm)	Max. Axial Load (kg)	Max.Radial Load (kg)
VMBB3208	18	23	8.2	32	8	40.6
VMBB2009	19	22	9.5	20.6	282	953
VMBB2210	15	17	10	22	11	103.5
VMBB2510	35	41	10	25	145.6	741.5
VMBB321015	15	20	10	32	9	35.2
VMBB321024	24	30	10	32	35	385
VMBB2611	32	36	11.1	26.03	461	1923
VMBB2512	25	28	12	25	46.9	382
VMBB2612	32	36	12	26	0	0
VMBB30123434	34	34	12	30	5.5	340
VMBB30123444	34	44	12	30	115.5	340
VMBB301236	36	40	12	30	44	372.6
VMBB3412	35	41	12	34	60.2	273.9
VMBB5012	50	62	12	50	64.8	234.6
VMBB7412	45	66	12.5	74.5	154	428.4
VMBB3013	40	40	13	30	44	316.8
VMBB7414	45	66	14.5	74.5	147	428.4
VMBB3515	45	50	15	35	0	0
VMBB6015	20	30	15	60	0	0
VMBB3216	17	17	16	32	0	0
VMBB3816	64	72	16	38	203.2	1449
VMBB5016	60	82	16	50	306	741
VMBB511638	38	47.5	16	51	46	204
VMBB511644	44.3	53.8	16	51	56.7	256
VMBB3817	33	38	17	38	72	493.9
VMBB3418	42	42	18	34	0	0

This information is for guidance only. Customers are recommended to contact us for further technical information on products and applications. We reserve the right to alter specifications or withdraw products without notice.

RUBBER METAL BONDED BUSHES

Article No:	L1 (mm)	L2 (mm)	F (mm)	D(mm)	Max. Axial Load (kg)	Max.Radial Load (kg)
VMBB3418	42	42	18	34	0	0
VMBB4018	50	50	18	40	0	0
VMBB4818	78	91	18	48	0	0
VMBB571860	60	72	18	57	81.6	381.6
VMBB571870	70	86	18	57	240.9	903.9
VMBB4119	25	33	19	41	0	0
VMBB452059	59.5	62.5	20	45	0	0
VMBB452070	70	75	20	45	0	0
VMBB4920	60	63	20	49	0	0
VMBB5020	40	46	20	50	0	0
VMBB402520	20	20	25	40	0	0
VMBB402530	30	30	25	40	0	0
VMBB502540	40	45	25	50	0	0
VMBB502550	50	50	25	50	0	0
VMBB6025	76.5	82.5	25.6	60.3	0	0
VMBB6628	55	69	28	66	120.4	491.4
VMBB6030	45	55	30	60	0	0
VMBB8238	70	90	38	82	249.2	1512
VMBB8240	70	90	40	82	360	1390.8
VMBB12070	40	40	70	120	0	0