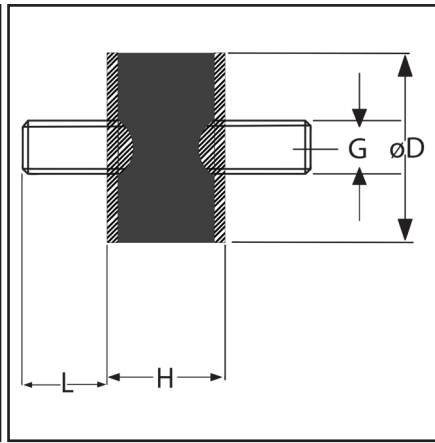
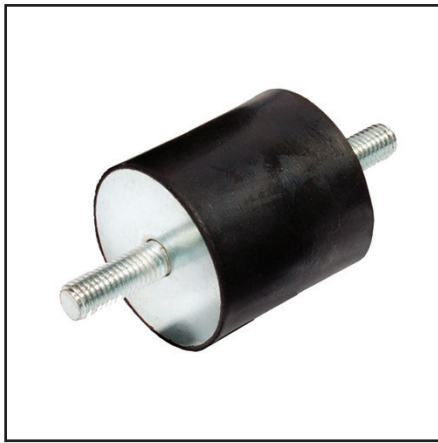


CYLINDRICAL ANTI VIBRATION MOUNTS : TYPE A Male/Male



A simple and cost effective mount. For use in compression and shear. A very large range of available size and studs.

H = Height
D = Diameter
G = Tread Size
L = Stud Length

Applications:

Exhaust Systems, Small Fans, Instrument Panels.
Compressors, Motors, Electronic Control Panels.

Materials:

Natural Rubber
Styrene Butadiene Rubber (SBR)
Neoprene
Nitrile
Silicon

				45 Shore Hardness (Max KG)		60 Shore Hardness (Max KG)	
Item Number	D (mm)	H (mm)	G x L (mm)	Load	Sheer	Load	Sheer
VCMM0607M3	6	7	M3x6	1.3	0.4	2.2	0.7
VCMM0805M3	8	5	M3x6	2.75	0.9	4.85	1.6
VCMM0807M3	8	7	M3x6	2.6	0.8	4.7	1.5
VCMM0808M3	8	8	M3x6	2.4	0.8	4.4	1.5
VCMM0912M3	9	12	M3x6	1.8	0.6	5.4	1.62
VCMM0912M4	9	12	M4x10	1.8	0.6	5.4	1.62
VCMM0912M5	9	12	M5x12	1.8	0.6	5.4	1.62
VCMM1005M48	10	5	M4x8	1.8	0.6	5.4	1.62
VCMM1008M3	10	8	M3x6	2.7	0.9	7.9	2.4
VCMM1008M4	10	8	M4x10	2.7	0.9	7.9	2.4
VCMM1010M3	10	10	M3x6	2.5	1	7.7	3.1
VCMM1010M4	10	10	M4x10	2.5	1	7.7	3.1
VCMM1010M5	10	10	M5x12	2.5	1	7.7	3.1
VCMM1015M3	10	15	M3x6	1.8	0.7	5.6	2.3
VCMM1015M4	10	15	M4x10	1.8	0.7	5.6	2.3
VCMM1015M5	10	15	M5x12	1.8	0.7	5.6	2.3
VCMM1017M3	10	17	M3x6	1.6	0.5	5	1.6
VCMM1017M4	10	17	M4x10	1.6	0.5	5	1.6
VCMM1017M5	10	17	M5x12	1.6	0.5	5	1.6
VCMM1018M3	10	18	M3x6	1.4	0.45	4.5	1.5
VCMM1018M4	10	18	M4x10	1.4	0.45	4.5	1.5
VCMM1018M5	10	18	M5x12	1.4	0.45	4.5	1.5
VCMM1030M3	10	30	M3x6	1	0.3	2.8	0.9
VCMM1030M4	10	30	M4x10	1	0.3	2.8	0.9
VCMM1030M5	10	30	M5x12	1	0.3	2.8	0.9
VCMM1111M3	11	11	M3x6	2	0.8	5.7	2.3
VCMM1111M4	11	11	M4x10	2	0.8	5.7	2.3

This information is for guidance only. Customers are recommended to contact us for further technical information on products and applications.
We reserve the right to alter specifications or withdraw products without notice.

				45 Shore Hardness (Max KG)		60 Shore Hardness (Max KG)	
Item Number	D (mm)	H (mm)	G x L (mm)	Load	Sheer	Load	Sheer
VCMM1111M5	11	11	M5x12	2	0.8	5.7	2.3
VCMM1210M3	12	10	M3x6	3.5	1.4	10	3
VCMM1210M4	12	10	M4x10	3.5	1.4	10	3
VCMM1210M5	12	10	M5x12	3.5	1.4	10	3
VCMM1315M4	13	15	M4x10	3.2	1	8.1	2.6
VCMM1326M4	13	26	M4x10	1.4	0.45	4.5	1.5
VCMM1326M5	13	26	M5x12	1.4	0.45	4.5	1.5
VCMM1507M4	15	7	M4x15	15.4	3.5	36	6.4
VCMM1507M5	15	7	M5x15	15.4	3.5	36	6.4
VCMM1508M4	15	8	M4x15	11	3	25	5.2
VCMM1508M5	15	8	M5x15	11	3	16.8	5.2
VCMM1509M4	15	9	M4x15	11	3	16.8	5.2
VCMM1509M5	15	9	M5x15	11	3	16.8	5.2
VCMM1510M4	15	10	M4x15	9.2	4	15.1	5.2
VCMM1510M5	15	10	M5x15	9.2	4	15.1	5.2
VCMM1512M4	15	12	M4x15	8.2	2.7	14.5	5.2
VCMM1512M5	15	12	M5x15	8.2	2.7	14.5	5.2
VCMM1513M4	15	13	M4x15	7.9	2.6	14.1	5.2
VCMM1513M5	15	13	M5x15	7.9	2.6	14.1	5.2
VCMM1515M4	15	15	M4x15	6	2	13.3	5.2
VCMM1515M5	15	15	M5x15	6	2	13.3	5.2
VCMM1520M4	15	20	M4x15	4.9	1.6	10	4
VCMM1520M5	15	20	M5x15	4.9	1.6	10	4
VCMM1525M4	15	25	M4x15	2.9	1	7.25	2.4
VCMM1525M5	15	25	M5x15	2.9	1	7.25	2.4
VCMM1530M4	15	30	M4x15	1.75	0.6	4.1	1.4
VCMM1530M5	15	30	M5x15	1.75	0.6	4.1	1.4
VCMM1610M4	16	10	M4x10	15	6	30	12
VCMM1610M5	16	10	M5x10	15	6	30	12
VCMM1618M4	16	18	M4x15	6	2	13.3	5.2
VCMM1618M5	16	18	M5x15	6	2	13.3	5.2
VCMM1805.7M5	18	5.7	M5x15	32	9.2	55	10.56
VCMM2008M5	20	8	M5x15	25	9.2	48	9.8
VCMM2010M6	20	10	M6x18	17	6.8	32.4	9.2
VCMM2010M8	20	10	M8x20	17	6.8	32.4	9.2
VCMM2011M5	20	11	M5x15	16.2	6.5	30.8	9.2
VCMM2011M6	20	11	M6x20	16.2	6.5	30.8	9.2
VCMM2011M8	20	11	M8x20	16.2	6.5	30.8	9.2
VCMM2012M5	20	12	M5x15	14.8	5.9	28.1	9.2
VCMM2012M6	20	12	M6x20	14.8	5.9	28.1	9.2
VCMM2012M8	20	12	M8x20	14.8	5.9	28.1	9.2
VCMM2013M5	20	13	M5x15	14.1	5.7	26.8	9.2

This information is for guidance only. Customers are recommended to contact us for further technical information on products and applications.
We reserve the right to alter specifications or withdraw products without notice.

				45 Shore Hardness (Max KG)		60 Shore Hardness (Max KG)	
Item Number	D (mm)	H (mm)	G x L (mm)	Load	Sheer	Load	Sheer
VCMM2013M6	20	13	M6x20	14.1	5.7	26.8	9.2
VCMM2013M8	20	13	M8x20	14.1	5.7	26.8	9.2
VCMM2015M5	20	15	M5x15	12.3	4.2	25.5	9.2
VCMM2015M6	20	15	M6x20	12.3	4.2	25.5	9.2
VCMM2015M8	20	15	M8x20	12.3	4.2	25.5	9.2
VCMM2017M5	20	17	M5x15	11.8	4.2	24.6	9.2
VCMM2017M6	20	17	M6x20	11.8	4.2	24.6	9.2
VCMM2017M8	20	17	M8x20	11.8	4.2	24.6	9.2
VCMM2020M5	20	20	M5x15	11	4.2	23.5	9.2
VCMM2020M6	20	20	M6x20	11	4.2	23.5	9.2
VCMM2020M8	20	20	M8x20	11	4.2	23.5	9.2
VCMM2023M5	20	23	M5x15	10.8	4.2	23	9.2
VCMM2023M6	20	23	M6x20	10.8	4.2	23	9.2
VCMM2023M8	20	23	M8x20	10.8	4.2	23	9.2
VCMM2025M5	20	25	M5x15	10.5	4.2	22.7	9.2
VCMM2025M6	20	25	M6x20	10.5	4.2	22.7	9.2
VCMM2025M8	20	25	M8x20	10.5	4.2	22.7	9.2
VCMM2030M5	20	30	M5x15	10.2	4.1	22.3	9
VCMM2030M6	20	30	M6x20	10.2	4.1	22.3	9
VCMM2508M6	25	8	M6x20	39.6	6.6	79.2	14.4
VCMM2510M6	25	10	M6x20	33	6.6	60.3	14.4
VCMM2510M8	25	10	M8x20	33	6.6	60.3	14.4
VCMM2512M6	25	12	M6x20	29	6.6	54.3	14.4
VCMM2512M8	25	12	M8x20	29	6.6	54.3	14.4
VCMM2513M6	25	13	M6x20	25.5	6.6	51	14.4
VCMM2513M8	25	13	M8x20	25.5	6.6	51	14.4
VCMM2514M6	25	14	M6x20	22.8	6.6	46	14.4
VCMM2514M8	25	14	M8x20	22.8	6.6	46	14.4
VCMM2515M6	25	15	M6x20	21.5	6.6	43.2	14.4
VCMM2515M8	25	15	M8x20	21.5	6.6	43.2	14.4
VCMM2517M6	25	17	M6x20	20.7	6.6	42.1	14.4
VCMM2517M8	25	17	M8x20	20.7	6.6	42.1	14.4
VCMM2518M6	25	18	M6x20	19.8	6.6	41.1	14.4
VCMM2518M8	25	18	M8x20	19.8	6.6	41.1	14.4
VCMM2519M6	25	19	M6x20	19	6.6	40	14.4
VCMM2519M8	25	19	M8x20	19	6.6	40	14.4
VCMM2520M6	25	20	M6x20	18.4	6.6	38.5	14.4
VCMM2520M8	25	20	M8x20	18.4	6.6	38.5	14.4
VCMM2522M6	25	22	M6x20	17.8	6.6	37.4	14.4
VCMM2522M8	25	22	M8x20	17.8	6.6	37.4	14.4
VCMM2525M6	25	25	M6x20	17.1	6.6	36.6	14.4
VCMM2525M8	25	25	M8x20	17.1	6.6	36.6	14.4

This information is for guidance only. Customers are recommended to contact us for further technical information on products and applications.
We reserve the right to alter specifications or withdraw products without notice.

				45 Shore Hardness (Max KG)		60 Shore Hardness (Max KG)	
Item Number	D (mm)	H (mm)	G x L (mm)	Load	Sheer	Load	Sheer
VCMM2527M6	25	27	M6x20	16.8	6.6	36.2	14.4
VCMM2527M8	25	27	M8x20	16.8	6.6	36.2	14.4
VCMM2528M6	25	28	M6x20	16.2	6.6	35.9	14.4
VCMM2528M8	25	28	M8x20	16.2	6.6	35.9	14.4
VCMM2530M6	25	30	M6x20	16.4	6.6	35.6	14.4
VCMM2530M8	25	30	M8x20	16.4	6.6	35.6	14.4
VCMM25.522M8	25.5	22	M8x20	18	6.7	37	14.6
VCMM2622M6	26	22	M6x22.0	18.5	7.5	39	16.8
VCMM2622M8	26	22	M8x20	18.5	7.5	39	16.8
VCMM3010M10	30	10	M10x25	45	9.5	90	20.8
VCMM3010M6	30	10	M6x20	45	9.5	90	20.8
VCMM3010M8	30	10	M8x20	45	9.5	90	20.8
VCMM3012M10	30	12	M10x25	42	9.5	80	20.8
VCMM3012M6	30	12	M6x20	42	9.5	80	20.8
VCMM3012M8	30	12	M8x20	42	9.5	80	20.8
VCMM3013M10	30	13	M10x25	40	9.5	78	20.8
VCMM3013M6	30	13	M6x20	40	9.5	78	20.8
VCMM3013M8	30	13	M8x20	40	9.5	78	20.8
VCMM3015M10	30	15	M10x25	37.8	9.5	72.3	20.8
VCMM3015M6	30	15	M6x20	37.8	9.5	72.3	20.8
VCMM3015M8	30	15	M8x20	37.8	9.5	72.3	20.8
VCMM3017M10	30	17	M10x25	36	9.5	67	20.8
VCMM3017M6	30	17	M6x20	36	9.5	67	20.8
VCMM3017M8	30	17	M8x20	36	9.5	67	20.8
VCMM3018M10	30	18	M10x25	34	9.5	63	20.8
VCMM3018M6	30	18	M6x20	34	9.5	63	20.8
VCMM3018M8	30	18	M8x20	34	9.5	63	20.8
VCMM3020M10	30	20	M10x25	29.5	9.5	60	20.8
VCMM3020M6	30	20	M6x20	29.5	9.5	60	20.8
VCMM3020M8	30	20	M8x20	29.5	9.5	60	20.8
VCMM3020MS8	30	20	M8x15	29.5	9.5	60	20.8
VCMM3022M10	30	22	M10x25	27	9.5	57	20.8
VCMM3022M6	30	22	M6x20	27	9.5	57	20.8
VCMM3022M8	30	22	M8x20	27	9.5	57	20.8
VCMM3025M10	30	25	M10x25	26.3	9.5	55.2	20.8
VCMM3025M6	30	25	M6x20	26.3	9.5	55.2	20.8
VCMM3025M8	30	25	M8x20	26.3	9.5	55.2	20.8
VCMM3030M10	30	30	M10x25	24.8	9.5	52.9	20.8
VCMM3030M6	30	30	M6x20	24.8	9.5	52.9	20.8
VCMM3030M8	30	30	M8x20	24.8	9.5	52.9	20.8
VCMM3035M10	30	30	M10x25	24	9.5	51	20.8
VCMM3035M6	30	35	M6x20	24	9.5	51	20.8

This information is for guidance only. Customers are recommended to contact us for further technical information on products and applications.
We reserve the right to alter specifications or withdraw products without notice.

				45 Shore Hardness (Max KG)		60 Shore Hardness (Max KG)	
Item Number	D	H	G x L	Load	Sheer	Load	Sheer
VCMM3035M8	30	35	M8x20	24	9.5	51	20.8
VCMM3040M10	30	35	M10x25	23.4	9.5	50.8	20.8
VCMM3040M6	30	40	M6x20	23.4	9.5	50.8	20.8
VCMM3040M8	30	40	M8x20	23.4	9.5	50.8	20.8
VCMM3045M6	30	45	M6x20	20	9.5	40	20.8
VCMM3045M8	30	45	M8x20	20	9.5	40	20.8
VCMM3225M6	32	25	M6x20	30	8	50	12
VCMM3225M8	32	25	M8x20	30	8	50	12
VCMM4010M10	40	10	M10x25	80	17	140	36.9
VCMM4010M6	40	10	M6x20	80	17	140	36.9
VCMM4010M8	40	10	M8x23	80	17	140	36.9
VCMM4015M10	40	15	M10x25	71	17	130	36.9
VCMM4015M6	40	15	M6x20	71	17	130	36.9
VCMM4015M8	40	15	M8x23	71	17	130	36.9
VCMM4020M10	40	20	M10x25	63.2	17	122.6	36.9
VCMM4020M6	40	20	M6x20	63.2	17	122.6	36.9
VCMM4020M8	40	20	M8x23	63.2	17	122.6	36.9
VCMM4025M10	40	25	M10x25	54	17	112	36.9
VCMM4025M6	40	25	M6x20	54	17	112	36.9
VCMM4027M10	40	27	M10x25	51	17	108	36.9
VCMM4027M6	40	27	M6x20	51	17	108	36.9
VCMM4027M8	40	27	M8x23	51	17	108	36.9
VCMM4028M10	40	28	M10x25	49.2	17	104	36.9
VCMM4028M6	40	28	M6x20	49.2	17	104	36.9
VCMM4028M8	40	28	M8x23	49.2	17	104	36.9
VCMM4030M10	40	30	M10x25	48.1	17	100.2	36.9
VCMM4030M6	40	30	M6x20	48.1	17	100.2	36.9
VCMM4030M8	40	30	M8x23	48.1	17	100.2	36.9
VCMM4030MS8	40	30	M8x20	48.1	17	100.2	36.9
VCMM4035M10	40	35	M10x25	46	17	97.8	36.9
VCMM4035M6	40	35	M6x20	46	17	97.8	36.9
VCMM4035M8	40	35	M8x23	46	17	97.8	36.9
VCMM4038M10	40	38	M10x25	44.5	17	95.6	36.9
VCMM4038M6	40	38	M6x20	44.5	17	95.6	36.9
VCMM4038M8	40	38	M8x23	44.5	17	95.6	36.9
VCMM4038M8	40	38	M8x23	44.5	17	95.6	36.9
VCMM4040M10	40	40	M10x25	43.7	17	93.5	36.9
VCMM4040M6	40	40	M6x20	43.7	17	93.5	36.9
VCMM4040M8	40	40	M8x23	43.7	17	93.5	36.9
VCMM4040MS8	40	40	M8x20	43.7	17	93.5	36.9
VCMM4045M10	40	45	M10x25	42.1	15	78.3	32
VCMM4045M6	40	45	M6x20	42.1	15	78.3	32

This information is for guidance only. Customers are recommended to contact us for further technical information on products and applications.
We reserve the right to alter specifications or withdraw products without notice.

				45 Shore Hardness (Max KG)		60 Shore Hardness (Max KG)	
Item Number	D (mm)	H (mm)	G x L (mm)	Load	Sheer	Load	Sheer
VCMM4045M8	40	45	M8x23	42.1	15	78.3	32
VCMM4060M10	40	60	M10x25	38.9	14	48.3	28.5
VCMM4060M6	40	60	M6x20	38.9	14	48.3	28.5
VCMM4060M8	40	60	M8x23	38.9	14	48.3	28.5
VCMM5015M10	50	15	M10x25	153	26.5	269	57.7
VCMM5015M12	50	15	M12x37	153	26.5	269	57.7
VCMM5015M8	50	15	M8x23	153	26.5	269	57.7
VCMM5017M10	50	17	M10x25	132.9	26.5	245.8	57.7
VCMM5017M12	50	17	M12x37	132.9	26.5	245.8	57.7
VCMM5017M8	50	17	M8x23	132.9	26.5	245.8	57.7
VCMM5020M10	50	20	M10x25	124.8	26.5	230.6	57.7
VCMM5020M12	50	20	M12x37	124.8	26.5	230.6	57.7
VCMM5020M8	50	20	M8x23	124.8	26.5	230.6	57.7
VCMM5021M10	50	21	M10x25	122.4	26.5	227.3	57.7
VCMM5021M12	50	21	M12x37	122.4	26.5	227.3	57.7
VCMM5021M8	50	21	M8x23	122.4	26.5	227.3	57.7
VCMM5025M10	50	25	M10x25	97.6	26.5	190	57.7
VCMM5025M12	50	25	M12x37	97.6	26.5	190	57.7
VCMM5025M8	50	25	M8x23	97.6	26.5	190	57.7
VCMM5027M10	50	27	M10x25	93.3	26.5	183.5	57.7
VCMM5027M12	50	27	M12x37	93.9	26.5	183.5	57.7
VCMM5027M8	50	27	M8x23	93.9	26.5	18.5	57.7
VCMM5028M10	50	28	M10x25	88.9	26.5	177.1	57.7
VCMM5028M8	50	28	M8x23	88.9	26.5	177.1	57.7
VCMM5030M10	50	30	M10x25	84.6	26.5	170.6	57.7
VCMM5030M12	50	30	M12x37	84.6	26.5	170.6	57.7
VCMM5030M10	50	30	M10x25	84.6	26.5	170.6	57.7
VCMM5030M12	50	30	M12x37	84.6	26.5	170.6	57.7
VCMM5030M8	50	30	M8x23	84.6	26.5	170.6	57.7
VCMM5035M10	50	35	M10x25	77.4	26.5	159.8	57.7
VCMM5035M12	50	35	M12x37	77.4	26.5	159.8	57.7
VCMM5035M8	50	35	M8x23	77.4	26.5	159.8	57.7
VCMM5037M10	50	37	M10x25	74	26.5	156	57.7
VCMM5037M12	50	37	M12x37	74	26.5	156	57.7
VCMM5037M8	50	37	M8x23	74	26.5	156	57.7
VCMM5038M12	50	38	M12x37	88.9	26.5	177.1	57.7
VCMM5040M10	50	40	M10x25	73	26.5	153.3	57.7
VCMM5040M12	50	40	M12x37	73	26.5	153.3	57.7
VCMM5040M8	50	40	M8x23	73	26.5	153.3	57.7
VCMM5042M10	50	42	M10x25	71.5	26.5	151.1	57.7
VCMM5042M12	50	42	M12x37	71.5	26.5	151.1	57.7
VCMM5042M8	50	42	M12x37	71.5	26.5	151.9	57.7

This information is for guidance only. Customers are recommended to contact us for further technical information on products and applications.
We reserve the right to alter specifications or withdraw products without notice.

				45 Shore Hardness (Max KG)		60 Shore Hardness (Max KG)	
Item Number	D (mm)	H (mm)	G x L (mm)	Load	Sheer	Load	Sheer
VCMM5045M10	50	45	M10x25	70.1	26.5	149	57.7
VCMM5045M12	50	45	M12x37	70.1	26.5	149	57.7
VCMM5045M8	50	45	M8x23	70.1	26.5	149	57.7
VCMM5050M10	50	50	M10x25	68.1	26.5	149	57.7
VCMM5050M12	50	50	M12x37	68.1	26.5	149	57.7
VCMM5080M10	50	80	M10x25	42.6	22	91.2	50
VCMM5080M12	50	80	M12x37	42.6	22	91.2	50
VCMM5080M8	50	80	M8x23	42.6	22	91.2	50
VCMM6015M10	60	15	M10x25	209.8	30	353.1	68
VCMM6015M8	60	15	M8x23	209.8	30	353.1	68
VCMM6016M10	60	16	M10x25	208.9	30	350.3	68
VCMM6016M8	60	16	M8x23	208.9	30	350.3	68
VCMM6020M10	60	20	M10x25	198.6	30	334.3	68
VCMM6020M8	60	20	M8x23	198.6	30	334.3	68
VCMM6025M10	60	25	M10x25	152.5	30	334.3	68
VCMM6025M12	60	25	M12x37	152.5	30	283.8	68
VCMM6025M8	60	25	M8x23	152.5	30	283.8	68
VCMM6030M10	60	30	M10x25	129.6	30	283.8	68
VCMM6030M12	60	30	M12x37	129.6	30	240	68
VCMM6030M8	60	30	M8x23	129.6	30	240	68
VCMM6035M10	60	35	M10x25	123.7	30	240	68
VCMM6035M12	60	35	M12x37	123.7	30	229.8	68
VCMM6035M8	60	35	M8x23	123.7	30	229.8	68
VCMM6040M10	60	40	M10x25	112	30	229.8	68
VCMM6040M12	60	40	M12x37	112	30	209.1	68
VCMM6040M8	60	40	M8x23	112	30	209.1	68
VCMM6045M10	60	45	M10x25	100.1	30	209.1	68
VCMM6045M12	60	45	M12x37	100.1	30	186.8	68
VCMM6045M8	60	45	M8x23	100.1	30	186.8	68
VCMM6050M10	60	50	M10x25	88.9	30	186.8	68
VCMM6050M12	60	50	M12x37	88.9	30	165.5	68
VCMM6050M8	60	50	M8x23	88.9	30	165.5	68
VCMM6060M10	60	60	M10x25	73	30	136	68
VCMM6060M12	60	60	M12x37	73	30	136	68
VCMM6060M8	60	60	M8x23	73	30	136	68
VCMM6535M12	65	35	M12x37	160	35	350	68
VCMM7020M10	70	20	M10x25	262.2	40	555.7	80
VCMM7025M10	70	25	M10x25	241.3	40	523.8	80
VCMM7030M10	70	30	M10x25	215.4	40	457.5	80
VCMM7030M12	70	30	M12x37	215.4	40	391.1	80
VCMM7035M10	70	35	M10x25	189.6	40	391.1	80
VCMM7035M12	70	35	M12x37	189.6	40	324.8	80

This information is for guidance only. Customers are recommended to contact us for further technical information on products and applications.
We reserve the right to alter specifications or withdraw products without notice.

				45 Shore Hardness (Max KG)		60 Shore Hardness (Max KG)	
Item Number	D (mm)	H (mm)	G x L (mm)	Load	Sheer	Load	Sheer
VCMM7040M10	70	40	M10x25	163.8	40	324.8	80
VCMM7040M12	70	40	M12x37	163.8	40	310.5	80
VCMM7045M10	70	45	M10x25	157.7	40	310.5	80
VCMM7045M12	70	45	M12x37	157.7	40	292.7	80
VCMM7050M10	70	50	M10x25	142.3	40	292.7	80
VCMM7050M12	70	50	M12x37	142.3	40	292.7	80
VCMM7053M10	70	53	M10x25	139.5	40	288.3	80
VCMM7053M12	70	53	M12x37	139.5	40	288.3	80
VCMM7055M10	70	55	M10x25	136.1	40	283.4	80
VCMM7055M12	70	55	M12x37	136.1	40	283.4	80
VCMM7060M10	70	60	M10x25	120	40	220	80
VCMM7060M12	70	60	M12x37	120	40	220	80
VCMM7070M10	70	70	M10x25	110	40	190	80
VCMM7070M12	70	70	M12x37	110	40	190	80
VCMM7510M10	75	10	M10x25	125.3	40.7	265	105.3
VCMM7510M12	75	10	M12x37	125.3	40.7	265	105.3
VCMM7520M10	75	20	M10x25	325.4	59.6	689.6	129.9
VCMM7520M12	75	20	M12x37	325.4	59.6	689.6	129.9
VCMM7525M10	75	25	M10x25	299.4	59.6	650	129.9
VCMM7525M12	75	25	M12x37	299.4	59.6	650	129.9
VCMM7530M10	75	30	M10x25	267.3	59.6	567.7	129.9
VCMM7530M12	75	30	M12x37	267.3	59.6	567.7	129.9
VCMM7535M10	75	35	M10x25	235.3	59.6	485.3	129.9
VCMM7535M12	75	35	M12x37	235.3	59.6	485.3	129.9
VCMM7540M10	75	40	M10x25	203.2	59.6	403	129.9
VCMM7540M12	75	40	M12x37	203.2	59.6	403	129.9
VCMM7545M10	75	45	M10x25	190.5	59.6	385.3	129.9
VCMM7545M12	75	45	M12x37	190.5	59.6	385.3	129.9
VCMM7550M10	75	50	M10x25	176.6	59.6	363.2	129.9
VCMM7550M12	75	50	M12x37	176.6	59.6	363.2	129.9
VCMM7555M10	75	55	M10x25	168.9	59.6	351.7	129.9
VCMM7555M12	75	55	M12x37	168.9	59.6	351.7	129.9
VCMM7560M10	75	60	M10x25	155	59.6	320	118.6
VCMM7560M12	75	60	M12x37	155	59.6	320	118.6
VCMM7570M10	75	70	M10x25	140	50.3	296.4	-
VCMM7570M12	75	70	M12x37	140	50.3	296.4	-
VCMM8030M14	80	30	M14X35	347.5	104.1	658.7	-
VCMM100100M12	100	100	M12x37	250	106	400.6	-
VCMM100100M16	100	100	M16x46	250	106	400.6	115.2
VCMM10025M12	100	25	M12x37	540.2	106	1036.2	115.2
VCMM10025M16	100	25	M16x46	540.2	106	1036.2	197
VCMM10030M12	100	30	M12x37	499.6	106	1006.2	230.9

This information is for guidance only. Customers are recommended to contact us for further technical information on products and applications.
We reserve the right to alter specifications or withdraw products without notice.

				45 Shore Hardness (Max KG)		60 Shore Hardness (Max KG)	
Item Number	D (mm)	H (mm)	G x L (mm)	Load	Sheer	Load	Sheer
VCMM10030M16	100	30	M16x46	499.6	106	1006.2	230.9
VCMM10035M12	100	30	M12x37	469.6	106	914.3	230.9
VCMM10035M16	100	35	M16x46	469.6	106	914.3	230.9
VCMM10040M12	100	40	M12x37	454.1	106	854.9	230.9
VCMM10045M12	100	45	M12x37	413.5	106	790	230.9
VCMM10045M16	100	45	M16x46	413.5	106	790	230.9
VCMM10050M12	100	50	M12x37	357.7	106	740	230.9
VCMM10050M16	100	50	M16x46	357.7	106	740	230.9
VCMM10055M12	100	55	M12x37	345.5	106	692.6	230.9
VCMM10055M16	100	55	M16x46	345.5	106	692.6	230.9
VCMM10060M12	100	60	M12x37	302	106	605	230.9
VCMM10060M16	100	60	M16x46	302	106	605	230.9
VCMM10070M12	100	70	M12x37	290	106	530.6	230.9
VCMM10070M16	100	70	M16x46	290	106	530.6	230.9
VCMM10075M12	100	75	M12x37	275	106	436.6	230.9
VCMM10075M16	100	75	M16x46	275	106	436.6	230.9
VCMM10080M12	100	80	M12x37	263	106	408.3	230.9
VCMM10080M16	100	80	M16x46	263	106	408.3	230.9
VCMM15050M16	150	50	M16x46	626.3	194.7	1173.6	355.1
VCMM15050M20	150	50	M20x41	626.3	194.7	1173.6	355.1
VCMM15055M16	150	55	M16x46	590.9	194.7	1076.6	355.1
VCMM15055M20	150	55	M20x41	590.9	194.7	1076.6	355.1
VCMM15060M16	150	60	M16x46	534.3	194.7	955.3	355.1
VCMM15060M20	150	60	M20x41	534.3	194.7	955.3	355.1
VCMM15075M16	150	75	M16x46	447.8	185.5	806	319.6
VCMM15075M20	150	75	M20x41	447.8	185.5	806	319.6
VCMM200100M20	200	100	M20x41	1200	369	2000	660

This information is for guidance only. Customers are recommended to contact us for further technical information on products and applications.
We reserve the right to alter specifications or withdraw products without notice.